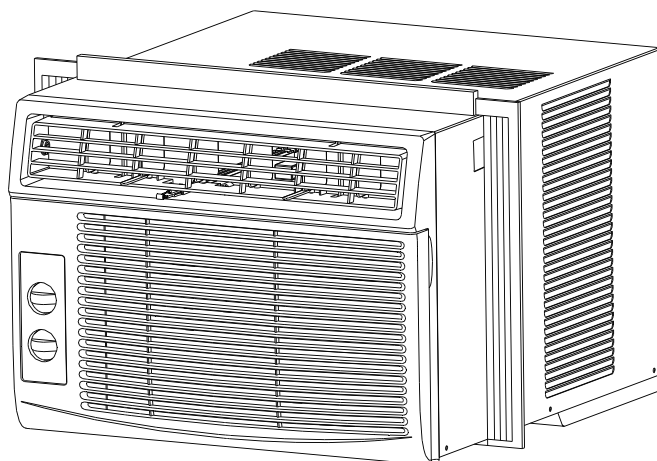




# **OWNER'S MANUAL**

**WINDOW/WALL-TYPE  
ROOM AIR CONDITIONER**



**MODEL: OBZ-05CMN3**

**For any service needs, call 1-866-277-7878**

[www.oceanbreezecomfort.com](http://www.oceanbreezecomfort.com)

**Read this owner's manual thoroughly  
before operating the appliance and  
keep it handy for reference at all times.**

## Read This Manual

Inside you will find many helpful hints on how to use and maintain your air conditioner properly. Just a little preventive care on your part can save you a great deal of time and money over the life of your air conditioner. You'll find many answers to common problems in the Troubleshooting Tips section (page 19).

These instructions may not cover every possible condition of use, so common sense and attention to safety is required when installing, operating, and maintaining this product.

### CAUTION

- This appliance is not intended for use by children or persons with reduced physical sensory or mental capabilities unless they are supervised by a responsible adult or considered capable enough to operate the appliance safely.
- Children should be supervised to ensure that they do not play with the appliance.
- If the supply cord is damaged, it must be replaced by the manufacturer, its service agent, or similarly qualified persons in order to avoid a hazard.
- The appliance should be installed in accordance with national wiring regulations.
- Do not operate your air conditioner in a wet room such as a bathroom or laundry room.
- Contact the authorized service technician for repair or maintenance of this unit or for problems installing the unit.

# CONTENTS



---

Important Safety Instructions .....	1
Installation Instructions .....	12
Normal Sounds .....	17
Air Conditioner Features .....	17
Care and Cleaning .....	18
Troubleshooting Tips .....	19

# IMPORTANT SAFETY INSTRUCTIONS

## READ THIS MANUAL

To prevent injury to the user or others, the following instructions must be followed. Improper operation due to ignoring of instructions may cause harm or property damage. Below are definitions for symbols used throughout the manual.

 <b>WARNING</b>	This symbol indicates the possibility of death or serious injury.
 <b>CAUTION</b>	This symbol indicates the possibility of injury or damage to property.

## **WARNING**

- Plug in power cord plug properly.  
Otherwise, it may cause electric shock or fire due to excess heat generation.
- Do not modify power cord length or share the outlet with other appliances as it may cause electric shock or fire due to overheating.
- Always ensure effective grounding.  
Incorrect grounding may cause electric shock.
- Unplug the unit if you notice unusual sounds or smells, or smoke coming from it.  
A damaged product may cause fire and electric shock.
- Ventilate room before operating the air conditioner if there is a gas leakage from another appliance.
- Do not operate or stop the unit by inserting or pulling out the power cord plug.
- Do not operate with wet hands or in very humid environments.  
It may cause an electric shock.
- Do not allow water to come into contact with any electric parts.  
It may cause failure or electric shock.
- Do not use a power outlet or a power cord if it's loose or damaged.  
It may cause fire and electric shock.
- Do not use or keep the power cord close to heating appliances.  
It may cause fire and electric shock.
- Do not disassemble or modify the unit.  
It may cause failure and electric shock.
- Do not damage or use an alternate power cord.  
It may cause fire and electric shock.  
If the power cord is damaged, it must be replaced by the manufacturer or an authorized servicer in order to avoid a hazard.

# IMPORTANT SAFETY INSTRUCTIONS

## WARNING

- Do not direct airflow straight onto people or pets to avoid possible health hazards.
- Always install a circuit breaker and a dedicated power circuit.  
Incorrect installation may cause fire and electric shock.
- Do not open the unit during operation.  
It may cause an electric shock.
- Do not use the power cord near flammable gas or combustibles, such as gasoline, benzene, thinner, etc.  
It may cause an explosion or fire.
- When the air filter is to be removed, do not touch the metal parts of the unit.  
It may cause injury.
- When the unit needs cleaning, switch off, and turn off the circuit breaker.  
Do not clean unit when power is on as it may cause fire, electric shock, or injury.

## CAUTION

- Stop operation and close the window during a storm or hurricane.  
Operation with windows open may cause water leakage into the room.
- Do not place obstacles around air inlets or inside of the air outlet.  
It may cause failure or damage the unit.
- Do not use strong detergents that contain wax or thinners as it may damage the product. Clean with a soft cloth only.
- Use caution when unpacking and installing. Sharp edges could cause injury.
- Do not clean the air conditioner with water.  
Water may enter the unit and degrade the insulation which could lead to electric shock.
- Do not put a pet or house plant where it will be exposed to direct air flow.  
This could injure the pet or harm the plant.
- Hold the plug by the head of the power plug when taking it out.  
Otherwise, it may cause electric shock and damage.
- Ensure that the installation is properly secured to prevent the product from potentially falling.
- Do not place heavy objects on the power cord and ensure that the cord is not compressed.  
Otherwise, there is danger of fire or electric shock.

## IMPORTANT SAFETY INSTRUCTIONS

---

### ⓘ CAUTION

- When used near a stove or other gas-burning device, be sure the room is properly ventilated.  
Otherwise, an oxygen shortage may occur.
- Do not use for any purpose other than room comfort.  
Do not use this air conditioner to preserve precision devices, food, pets, plants, objects. It may cause deterioration.
- Disconnect the product from power if the unit is not to be used for an extended time.
- Always insert the filters securely. Operation without filters may cause failure.
- Do not drink water drained from the air conditioner.

# IMPORTANT SAFETY INSTRUCTIONS

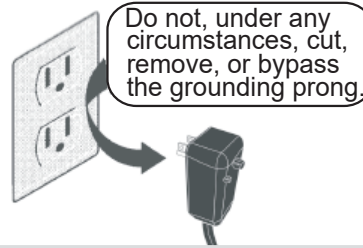
## NOTE:

The power supply cord with this air conditioner contains a current detection device designed to reduce the risk of fire. Please refer to the section 'Operation of Current Device' for details. In the event that the power supply cord is damaged and cannot be repaired, it must be replaced with a cord from the Product Manufacturer.

## WARNING

Avoid fire hazard or electric shock. Do not use an extension cord or an adaptor plug. Do not remove any prong from the power cord.

Grounding type wall receptacle



Power supply cord with 3-prong grounding plug and current detection device.

## WARNING

### For Your Safety

Do not store or use gasoline or other flammable vapors and liquids in the vicinity of this or any other appliance.

### Prevent Accidents

To reduce the risk of fire, electrical shock, or injury to persons when using your air conditioner, follow basic precautions, including the following:

- Be sure the electrical service is adequate for the model you have chosen. This information can be found on the serial plate, which is located on the side of the cabinet and behind the grille.
- If the air conditioner is to be installed in a window, you will probably want to clean both sides of the glass first. If the window is a triple-track type with a screen panel included, remove the screen completely before installation.
- Be sure the air conditioner has been securely and correctly installed according to the installation instructions in this manual. Save this manual for possible future use in removing or installing this unit. When handling the air conditioner, be careful to avoid getting cut from sharp metal fins on front and rear coils.

### Electrical Information

The complete electrical rating of your new room air conditioner is stated on the serial plate. Refer to the rating when checking the electrical requirements.

- Be sure the air conditioner is properly grounded. To minimize shock and fire hazards, proper grounding is important. The power cord is equipped with a three-prong grounding plug for protection against shock hazards.
- Your air conditioner must be used in a properly grounded wall receptacle. If the wall receptacle you intend to use is not adequately grounded or protected by a time-delay fuse or circuit breaker, have a qualified electrician install the proper receptacle. Ensure the receptacle is accessible after the unit installation.
- Do not run an air conditioner without side protective cover in place. This could result in mechanical damage within the air conditioner.
- Do not use an extension cord or an adaptor plug.

# IMPORTANT SAFETY INSTRUCTIONS

## Operation of Current Device

The power supply cord contains a current device that senses damage to the power cord. To test your power supply cord, do the following:

1. Plug in the Air Conditioner.
2. The power supply cord will have TWO buttons on the plug head. Press the TEST button, you will notice a click as the RESET button pops out.
3. Press the RESET button, again you will notice a click as the button engages.
4. The power supply cord is now supplying electricity to the unit. (On some products, this is also indicated by a light on the plug head).

### NOTE:

- Do not use this device to turn the unit on or off.
- Always make sure the RESET button is pushed in for correct operation.
- The power supply must be replaced if it fails to reset when either the TEST button is pushed, or it cannot be reset. A new one can be obtained from the product manufacturer.
- If the power supply cord is damaged, it cannot be repaired. It MUST be replaced by one obtained from the product manufacturer.

**NOTE:** This air conditioner is designed to be operated under the condition as follows:

Cooling operation	Outdoor temp:	64-109°F/18-43°C (64-125°F/18-52°C for special tropical models)
	Indoor temp:	62-90°F/17-32°C
Heating operation	Outdoor temp:	23-76°F/-5-24°C
	Indoor temp:	32-80°F/0-27°C

Note: Performance may be reduced outside of these operating temperatures.

### **WARNING: (for using R290/R32 refrigerant only)**

- Do not use means to accelerate the defrosting process or to clean, other than those recommended by the manufacturer.
- The appliance shall be stored in a room without continuously operating ignition sources (for example: open flames, an operating gas appliance) and ignition sources (for example: an operating electric heater) close to the appliance. The appliance shall be stored in a room without continuously operating ignition sources (for example: open flames, an operating gas appliance, or an operating electric heater).
- Do not pierce or burn.
- Be aware that the refrigerants may not contain an odor.
- Compliance with national gas regulations shall be observed.
- Keep ventilation openings clear of obstruction.
- The appliance shall be stored so as to prevent mechanical damage from occurring.
- A warning that the appliance shall be stored in a well-ventilated area where the room size corresponds to the room area as specified for operation.
- Any person who is involved with working on or breaking into a refrigerant circuit should hold a current valid certificate from an industry-accredited assessment authority, which authorizes their competence to handle refrigerants safely in accordance with an industry recognized assessment specification.



# IMPORTANT SAFETY INSTRUCTIONS

- Servicing shall only be performed as recommended by the equipment manufacturer. Maintenance and repair requiring the assistance of other skilled personnel shall be carried out under the supervision of the person competent in the use of flammable refrigerants.
- DO NOT modify the length of the power cord or use an extension cord to power the unit. DO NOT share a single outlet with other electrical appliances. Improper power supply can cause fire or electrical shock.
- Please follow the instruction carefully to handle, install, clear, service the air conditioner to avoid any damage or hazard. Flammable Refrigerant R32 is used within air conditioner. When maintaining or disposing the air conditioner, the refrigerant (R32 or R290) shall be recovered properly, shall not discharge to air directly.
- No open fire or device like switch which may generate spark/arcing shall be around air conditioner to avoid causing ignition of the flammable refrigerant used. Please follow the instruction carefully to store or maintain the air conditioner to prevent mechanical damage from occurring.
- Flammable refrigerant -R32 is used in air conditioner. Please follow the instruction carefully to avoid any hazard.

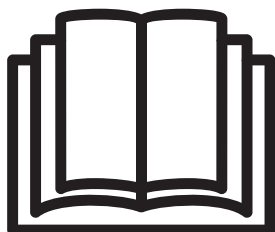
## AVERTISSEMENT

Ne pas utiliser de produits permettant d'accélérer le dégel ou de produits de nettoyage autres que ceux recommandés par le fabricant.

L'appareil doit être entreposé dans un endroit sans source d'allumage fonctionnant en continu (par exemple : flamme nue, appareil au gaz en marche ou radiateur électrique en marche).

Ne pas percer ni brûler.

Attention : les frigorigènes peuvent être inodores.







Caution: Risk of fire/  
flammable materials

(Required for R32/R290 units only)

**IMPORTANT NOTE:** Read this manual carefully before installing or operating your new air conditioning unit.

Make sure to save this manual for future reference.

## Explanation of symbols displayed on the unit (For the unit adopts R32/R290 Refrigerant only):

	WARNING	This symbol shows that this appliance used a flammable refrigerant. If the refrigerant is leaked and exposed to an external ignition source, there is a risk of fire.
	CAUTION	This symbol shows that the operation manual should be read carefully.
	CAUTION	This symbol shows that a service personnel should be handling this equipment with reference to the installation manual.
	CAUTION	This symbol shows that information is available such as the operating manual or installation manual.

# IMPORTANT SAFETY INSTRUCTIONS

## **⚠ WARNINGS (for using R290/R32 refrigerant only)**

### **1. Transport of equipment containing flammable refrigerants**

See transport regulations

### **2. Marking of equipment using signs**

See local regulations

### **3. Disposal of equipment using flammable refrigerants**

See national regulations.

### **4. Storage of equipment/appliances**

The storage of equipment should be in accordance with the manufacturer's instructions.

### **5. Storage of packed (unsold) equipment**

Storage package protection should be constructed so that mechanical damage to the equipment inside the package will not cause a leak of the refrigerant charge.

The maximum number of pieces of equipment permitted to be stored together will be determined by local regulations.

### **6. Information on servicing**

#### **1) Checks to the area**

Prior to beginning work on systems containing flammable refrigerants, safety checks are necessary to ensure that the risk of ignition is minimized. For repair to the refrigerating system, the following precautions shall be complied with prior to conducting work on the system.

#### **2) Work procedure**

Work shall be undertaken under a controlled procedure so as to minimize the risk of a flammable gas or vapor being present while the work is being performed.

#### **3) General work area**

All maintenance staff and others working in the local area shall be instructed on the nature of work being carried out. Work in confined spaces shall be avoided. The area around the workspace shall be sectioned off. Ensure that the conditions within the area have been made safe by control of flammable material.

#### **4) Checking for presence of refrigerant**

The area shall be checked with an appropriate refrigerant detector prior to and during work, to ensure the technician is aware of potentially flammable atmospheres. Ensure that the leak detection equipment being used is suitable for use with flammable refrigerants, i.e. non-sparking, adequately sealed, or intrinsically safe.

#### **5) Presence of fire extinguisher**

If any hot work is to be conducted on the refrigeration equipment or any associated parts, appropriate fire extinguishing equipment shall be available on hand. Have a dry powder or CO<sub>2</sub> fire extinguisher adjacent to the charging area.

#### **6) No ignition sources**

No person carrying out work in relation to a refrigeration system which involves exposing any pipe work that contains or has contained flammable refrigerant shall use any sources of ignition in such a manner that it may lead to the risk of fire or explosion. All possible ignition sources, including cigarette smoking, should be kept sufficiently far away from the site of installation, repairing, removing and disposal, during which flammable refrigerant can possibly be released to the surrounding space. Prior to work taking place, the area around the equipment is to be surveyed to make sure that there are no flammable hazards or ignition risks. No Smoking signs shall be displayed.

# IMPORTANT SAFETY INSTRUCTIONS

## **⚠ WARNINGS (for using R290/R32 refrigerant only)**

### 7) Ventilated area

Ensure that the area is in the open or that it is adequately ventilated before breaking into the system or conducting any hot work. A degree of ventilation shall continue during the period that the work is carried out. The ventilation should safely disperse any released refrigerant and preferably expel it externally into the atmosphere.

### 8) Checks to the refrigeration equipment

Where electrical components are being changed, they shall be fit for the purpose and to the correct specification. At all times the manufacturer's maintenance and service guidelines shall be followed. If in doubt consult the manufacturer's technical department for assistance. The following checks shall be applied to installations using flammable refrigerants:

The charge size is in accordance with the room size within which the refrigerant containing parts are installed;

The ventilation machinery and outlets are operating adequately and are not obstructed;

If an indirect refrigerating circuit is being used, the secondary circuit shall be checked for the presence of refrigerant;

Marking to the equipment continues to be visible and legible. Markings and signs that are illegible shall be corrected;

Refrigeration pipe or components are installed in a position where they are unlikely to be exposed to any substance which may corrode refrigerant containing components, unless the components are constructed of materials which are inherently resistant to being corroded or are suitably protected against being so corroded.

### 9) Checks to electrical devices

Repair and maintenance to electrical components shall include initial safety checks and component inspection procedures. If a fault exists that could compromise safety, then no electrical supply shall be connected to the circuit until it is satisfactorily dealt with. If the fault cannot be corrected immediately but it is necessary to continue operation, an adequate temporary solution shall be used. This shall be reported to the owner of the equipment so all parties are advised.

Initial safety checks shall include:

That capacitors are discharged: this shall be done in a safe manner to avoid possibility of sparking;

That there are no live electrical components and wiring exposed while charging, recovering, or purging the system; That there is continuity of earth bonding.

## **7. Repairs to sealed components**

1) During repairs to sealed components, all electrical supplies shall be disconnected from the equipment being worked upon prior to any removal of sealed covers, etc. If it is absolutely necessary to have an electrical supply to equipment during servicing, then a permanently operating form of leak detection shall be located at the most critical point to warn of a potentially hazardous situation.

2) Particular attention shall be paid to the following to ensure that by working on electrical components, the casing is not altered in such a way that the level of protection is affected. This shall include damage to cables, excessive number of connections, terminals not made to original specification, damage to seals, incorrect fitting of glands, etc. Ensure that apparatus is mounted securely.

# IMPORTANT SAFETY INSTRUCTIONS

## **⚠ WARNINGS (for using R290/R32 refrigerant only)**

Ensure that seals or sealing materials have not degraded such that they no longer serve the purpose of preventing the ingress of flammable atmospheres. Replacement parts shall be in accordance with the manufacturer's specifications.

NOTE: The use of silicon sealant may inhibit the effectiveness of some types of leak detection equipment. Intrinsically safe components do not have to be isolated prior to working on them.

### **8. Repair to intrinsically safe components**

Do not apply any permanent inductive or capacitance loads to the circuit without ensuring that this will not exceed the permissible voltage and current permitted for the equipment in use. Intrinsically safe components are the only types that can be worked on while live in the presence of a flammable atmosphere. The test apparatus shall be at the correct rating. Replace components only with parts specified by the manufacturer. Other parts may result in the ignition of refrigerant in the atmosphere from a leak.

### **9. Cabling**

Check that cabling will not be subject to wear, corrosion, excessive pressure, vibration, sharp edges, or any other adverse environmental effects. The check shall also take into account the effects of aging or continual vibration from sources such as compressors or fans.

### **10. Detection of flammable refrigerants**

Under no circumstances shall potential sources of ignition be used in the searching for or detection of refrigerant leaks. A halide torch (or any other detector using a naked flame) shall not be used.

### **11. Leak detection methods**

The following leak detection methods are deemed acceptable for systems containing flammable refrigerants. Electronic leak detectors shall be used to detect flammable refrigerants, but the sensitivity may not be adequate, or may need re-calibration. (Detection equipment shall be calibrated in a refrigerant-free area.) Ensure that the detector is not a potential source of ignition and is suitable for the refrigerant used. Leak detection equipment shall be set at a percentage of the LFL of the refrigerant and shall be calibrated to the refrigerant employed and the appropriate percentage of gas (25 % maximum) is confirmed. Leak detection fluids are suitable for use with most refrigerants but the use of detergents containing chlorine shall be avoided as the chlorine may react with the refrigerant and corrode the copper pipe-work. If a leak is suspected, all naked flames shall be removed/extinguished. If a leakage of refrigerant is found which requires brazing, all of the refrigerant shall be recovered from the system, or isolated (by means of shut off valves) in a part of the system remote from the leak. Oxygen free nitrogen (OFN) shall then be purged through the system both before and during the brazing process.

### **12. Removal and evacuation**

When breaking into the refrigerant circuit to make repairs or for any other purpose conventional procedures shall be used. However, it is important that best practice is followed since flammability is a consideration. Opening of the refrigeration systems shall not be done by brazing. The following procedure shall be adhered to:

- Remove refrigerant;
- Purge the circuit with inert gas;
- Evacuate;
- Purge again with inert gas;

# IMPORTANT SAFETY INSTRUCTIONS

## **⚠ WARNINGS (for using R290/R32 refrigerant only)**

Open the circuit by cutting or brazing.

The refrigerant charge shall be recovered into the correct recovery cylinders. The system shall be flushed with OFN to render the unit safe. This process may need to be repeated several times. Compressed air or oxygen shall not be used for this task.

Flushing shall be achieved by breaking the vacuum in the system with OFN and continuing to fill until the working pressure is achieved, then venting to atmosphere, and finally pulling down to a vacuum. This process shall be repeated until no refrigerant is within the system. When the final OFN charge is used, the system shall be vented down to atmospheric pressure to enable work to take place. This operation is absolutely vital if brazing operations on the pipe-work are to take place.

Ensure that the outlet for the vacuum pump is not close to any ignition sources and there is ventilation available.

### **13. Charging procedures**

In addition to conventional charging procedures, the following requirements shall be followed. Ensure that contamination of different refrigerants does not occur when using charging equipment. Hoses or lines shall be as short as possible to minimize the amount of refrigerant contained in them.

Cylinders shall be kept upright.

Ensure that the refrigeration system is earthed prior to charging the system with refrigerant.

Label the system when charging is complete (if not already).

Extreme care shall be taken not to overfill the refrigeration system.

Prior to recharging the system it shall be pressure tested with OFN. The system shall be leak tested on completion of charging but prior to commissioning. A follow up leak test shall be carried out prior to leaving the site.

### **14. Decommissioning**

Before carrying out this procedure, it is essential that the technician is completely familiar with the equipment and all its detail. It is recommended good practice that all refrigerants are recovered safely. Prior to the task being carried out, an oil and refrigerant sample shall be taken in case analysis is required prior to re-use of reclaimed refrigerant. It is essential that electrical power is available before the task is commenced.

a) Become familiar with the equipment and its operation.

b) Isolate system electrically.

c) Before attempting the procedure ensure that:

Mechanical handling equipment is available, if required, for handling refrigerant cylinders;

All personal protective equipment is available and being used correctly;

The recovery process is supervised at all times by a competent person;

Recovery equipment and cylinders conform to the appropriate standards.

d) Pump down refrigerant system, if possible.

e) If a vacuum is not possible, make a manifold so that refrigerant can be removed from various parts of the system.

f) Make sure that cylinder is situated on the scales before recovery takes place.

g) Start the recovery machine and operate in accordance with manufacturer's instructions.

h) Do not overfill cylinders. (No more than 80 % volume liquid charge.)

i) Do not exceed the maximum working pressure of the cylinder, even temporarily.

# IMPORTANT SAFETY INSTRUCTIONS

## **⚠ WARNINGS (for using R290/R32 refrigerant only)**

j) When the cylinders have been filled correctly and the process completed, make sure that the cylinders and the equipment are removed from site promptly and all isolation valves on the equipment are closed off.

k) Recovered refrigerant shall not be charged into another refrigeration system unless it has been cleaned and checked.

### **15. Labelling**

Equipment shall be labeled stating that it has been de-commissioned and emptied of refrigerant. The label shall be dated and signed. Ensure that there are labels on the equipment stating the equipment contains flammable refrigerant.

### **16. Recovery**

When removing refrigerant from a system, either for servicing or decommissioning, it is recommended good practice that all refrigerants are removed safely.

When transferring refrigerant into cylinders, ensure that only appropriate refrigerant recovery cylinders are employed. Ensure that the correct number of cylinders for holding the total system charge is available. All cylinders to be used are designated for the recovered refrigerant and labeled for that refrigerant (i.e. special cylinders for the recovery of refrigerant). Cylinders shall be complete with pressure relief valve and associated shut-off valves in good working order.

Empty recovery cylinders are evacuated and, if possible, cooled before recovery occurs.

The recovery equipment shall be in good working order with a set of instructions concerning the equipment that is at hand and shall be suitable for the recovery of flammable refrigerants. In addition, a set of calibrated weighing scales shall be available and in good working order. Hoses shall be complete with leak-free disconnect couplings and in good condition. Before using the recovery machine, check that it is in satisfactory working order, has been properly maintained and that any associated electrical components are sealed to prevent ignition in the event of a refrigerant release. Consult manufacturer if in doubt.

The recovered refrigerant shall be returned to the refrigerant supplier in the correct recovery cylinder, and the relevant Waste Transfer Note arranged. Do not mix refrigerants in recovery units and especially not in cylinders. If compressors or compressor oils are to be removed, ensure that they have been evacuated to an acceptable level to make certain that flammable refrigerant does not remain within the lubricant. The evacuation process shall be carried out prior to returning the compressor to the suppliers. Only electric heating to the compressor body shall be employed to accelerate this process.

When oil is drained from a system, it shall be carried out safely.

# INSTALLATION INSTRUCTIONS



## BEFORE YOU BEGIN

Read these instructions completely and carefully.

**IMPORTANT** - Save these instructions for the local inspector's use.

**IMPORTANT** - Observe all governing codes and ordinances.

**Note to Installer** - Be sure to leave these instructions with the Consumer.

**Note to Consumer** - Keep these instructions for future reference.

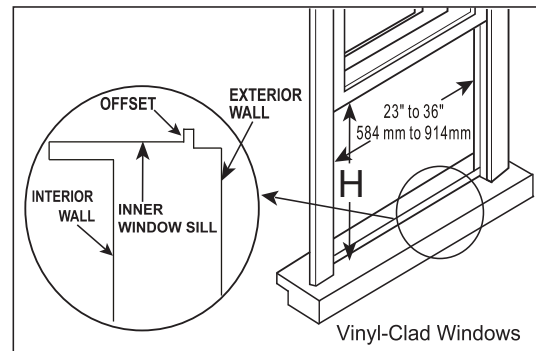
**Skill level**- Installation of this appliance requires basic mechanical skills.

**Completion time** - Approximately 1 hour. We recommend that two people install this product.

Proper installation is the responsibility of the installer.

Product failure due to improper installation is not covered under the Warranty.

You **MUST** use all supplied parts and use proper installation procedures as described in these instructions when installing this air conditioner.



Model	5000~6000Btu/h	6000~8000Btu/h	10000~12000Btu/h
H	13" (330mm)	14" (356mm)	15-1/2" (394mm)

Table 1

## ⚠ CAUTION

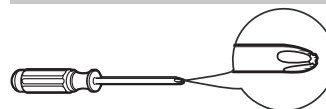
Do not, under any circumstances, cut or remove the third (ground) prong from the power cord.

Do not change the plug on the power cord of the air conditioner.

Aluminum house wiring may present special problems- consult a qualified electrician.

When handling the unit, be careful to avoid cuts from sharp metal edges and aluminum fins on front and rear coils.

## TOOLS YOU WILL NEED



Phillips Screwdriver



Level

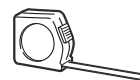
## TOOLS YOU MAY USE



Flat-head Screwdriver



Pencil



Ruler or tape measure



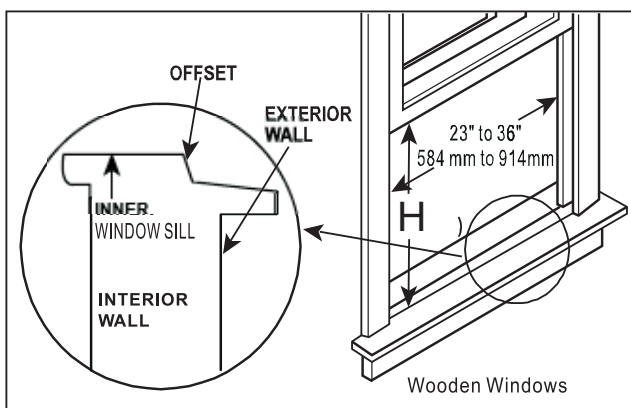
Scissors or knife

## 📌 NOTE:

Save Carton and these Installation Instructions for future reference. The carton is the best way to store a unit during winter, or when not in use.

## ⚠ WINDOW REQUIREMENTS

Your air conditioner is designed to install in standard double-hung windows with opening widths of 23 to 36 inches (584mm to 914mm).

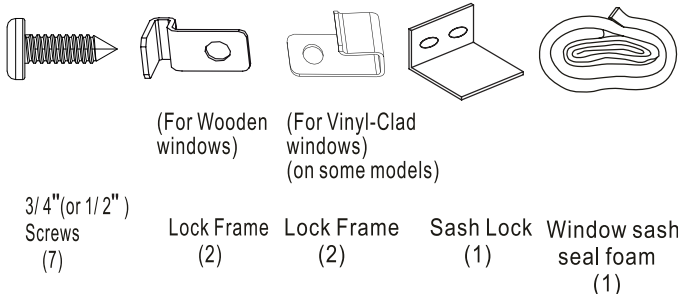


# INSTALLATION INSTRUCTIONS

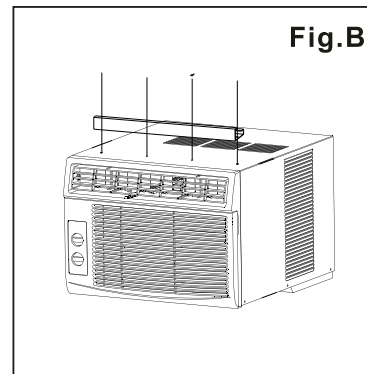
## 1 PREPARE THE WINDOW

Lower sash must open sufficiently to allow a clear vertical opening of 13 inches (330mm). Side louvers and the rear of the AC must have clear air space to allow enough airflow through the condenser for heat removal. The rear of the unit must be outdoors, not inside a building or garage.

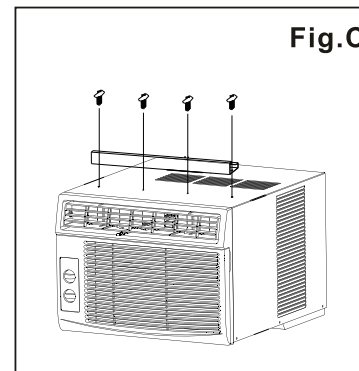
### Mounting Hardware



C: Align the hole in the top rail with those in the top of the unit as shown in Fig.B



D: Secure the top rail to the unit with the 3/8" Screws as shown in Fig.C.



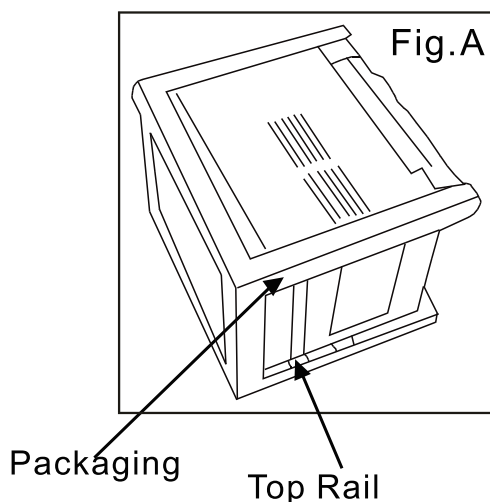
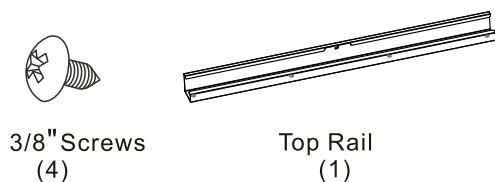
**NOTE:** For safety reasons, all four (4) screws MUST be securely fastened.

## 2 PREPARE AIR CONDITIONER

A: Remove the air conditioner from the carton and place it on a flat surface.

B: Remove the top rail from the packaging material as shown in Fig. A.

### Top Rail Hardware





# INSTALLATION INSTRUCTIONS

NOTE: Do not remove the Top Rail and Sliding Panel even you are not using them for any reason. They are set to make the unit tilted for proper condensed water collection and drainage.

- 1** Place the unit on a floor, a bench, or a table. Be sure that the left and right window filter panels are on the proper side. When installed, the flange for securing the panel in place to the window sill should be facing into the room.



Fig.1

- A. Hold the Accordion Panel with one hand and gently pull back the center to free the open end. See Fig. 1.



Fig.2

- B. Slide the open end panel directly into the side cabinet as shown in Fig. 2 & 3. Slide the panel down. Be sure to leave enough space to slip the top and bottom of the frame into the rails on the cabinet.



Fig.3

# INSTALLATION INSTRUCTIONS



Fig.4

- C. Once the panel has been installed on the side of the cabinet, make sure it sits securely inside the frame channel by making slight adjustments. Slide the top and bottom ends of the frame into the top and bottom rails of the cabinet (Fig. 4)
- D. Slide the panel all the way in and repeat on the other side.

**NOTE:** In the case that the storm window blocks the AC unit, see Fig. 13.



Fig.5

- 2** Keep a firm grip on the air conditioner, carefully place the unit into the window opening so the bottom of the air conditioner frame is against the window sill (Fig. 5). Carefully close the window behind the top rail of the unit.

**NOTE:** Please make sure to keep a firm grip on the air conditioner until it is installed securely and completely.

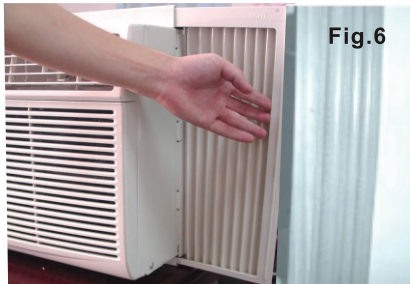


Fig.6

- 3** Extend the side panels out against the window frame (Fig. 6).



Fig.7

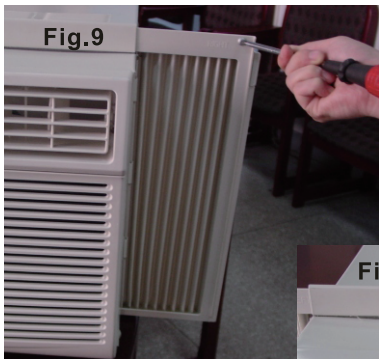
- 4** Place the frame lock between the frame extensions and the window sill as shown (Fig. 7). Drive 3 / 4" (19mm) or 1 / 2" (13mm) locking screws through the frame lock and into the sill (Fig. 8).

**NOTE:** To prevent window sill from splitting, drill 1 / 8" (3mm) pilot holes before driving screws.



Fig.8

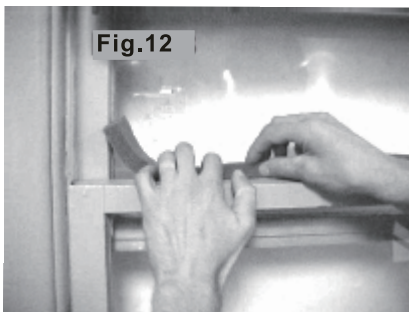
# INSTALLATION INSTRUCTIONS



**5** Drive 1 / 2" (13mm) locking screws through frame holes into window sash (Fig. 9 and 10).



**6** To secure the lower sash in place, attach right angle sash lock with 3 / 4" (19mm) or 1 / 2" (13mm) screw as shown (Fig. 11).

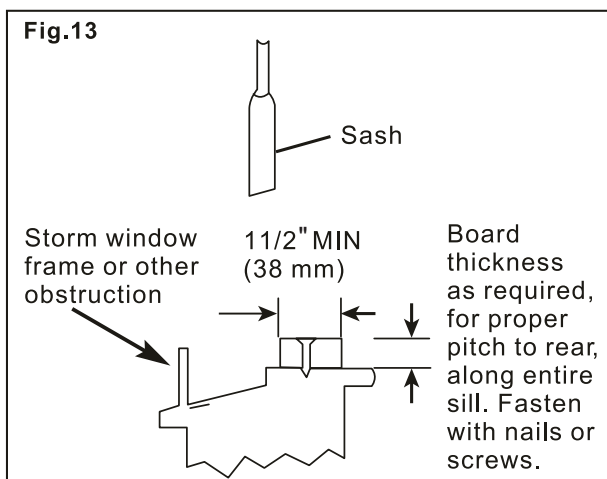


**7** Cut foam seal and insert in the space between the upper and lower sashes (Fig. 12).

## If AC is Blocked by Storm Window

Add wood as shown in Fig. 13, or remove the storm window before the air conditioner is installed.

If Storm Window Frame must be kept, be sure the drain holes or slots are not caulked or painted shut. Accumulated Rain Water or Condensation must be allowed to drain out.



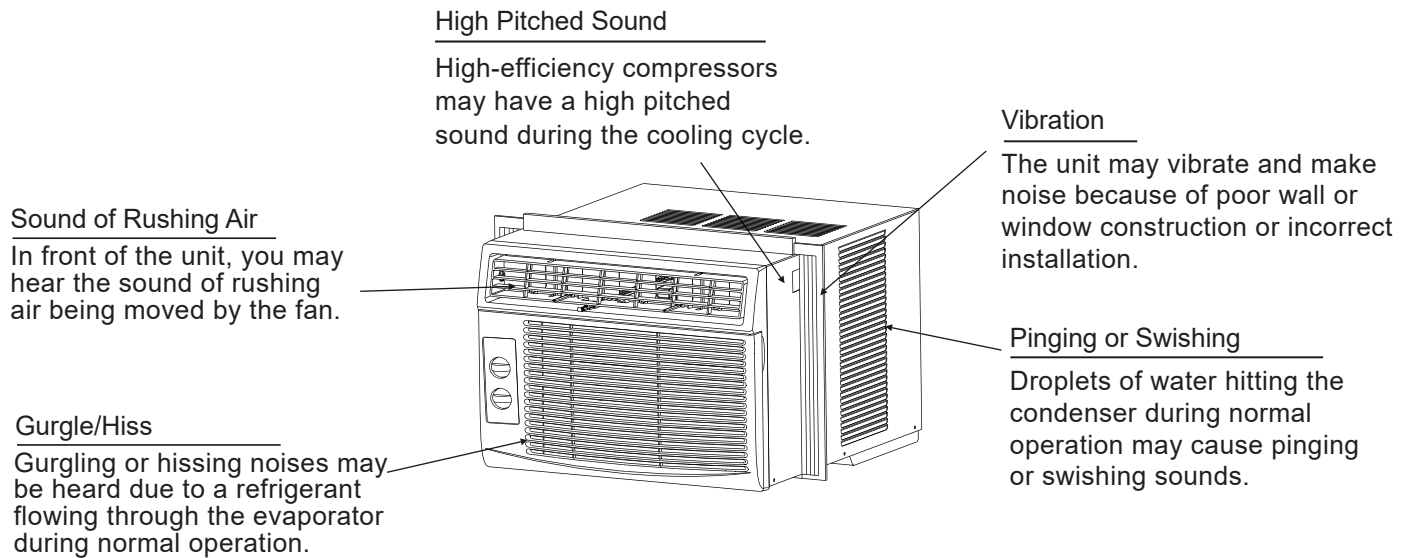
## Removing AC From Window

- ◆ Turn the AC off and disconnect the power cord.
- ◆ Remove sash seal from between windows, and unscrew safety lock.
- ◆ Remove screws installed through frame and frame lock.
- ◆ Close (slide) side panels into frame.
- ◆ Keeping a firm grip on the air conditioner, raise the sash and carefully rock the air conditioner backward to drain any condensate water in the base of the unit. Be careful not to spill any remaining water while lifting the unit from the window. Store parts WITH air conditioner.

**NOTE:** ◆ After installing, make sure the air conditioner is tilted 3~4 degree angle to the outside to allow water drainage and perfect cooling efficiency.

- ◆ Please make sure to always keep a firm grip on the air conditioner while tilting or removing the air conditioner from the window.

## NORMAL SOUNDS



### NOTE:

*All the illustrations in this manual are for explanation purposes only. Your air conditioner may be slightly different.*

## AIR CONDITIONER FEATURES

### WARNING

To reduce the risk of fire, electric shock, or injury, read the IMPORTANT SAFETY INSTRUCTIONS before operating this appliance.

### CAUTION

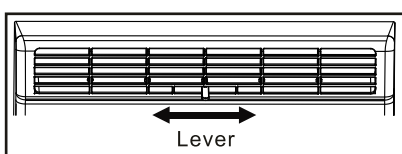
Always wait 3 minutes when turning the unit off and then on again, and when changing from cool to fan and back to cool. This prevents the compressor from overheating & possible circuit breaker tripping.

### To begin operating the air conditioner, follow these steps:

1. Set the thermostat to the highest number (coldest or cooler setting).
2. Set the selector control to the highest COOL setting.
3. Adjust the louver for comfortable air flow (see Air Directional Louvers).
4. Once the room has cooled, adjust the thermostat to the setting you find most comfortable.
5. Make sure that the air flow inside and outside is not obstructed by anything.

### Air Directional Louvers

#### Air Directional Louvers

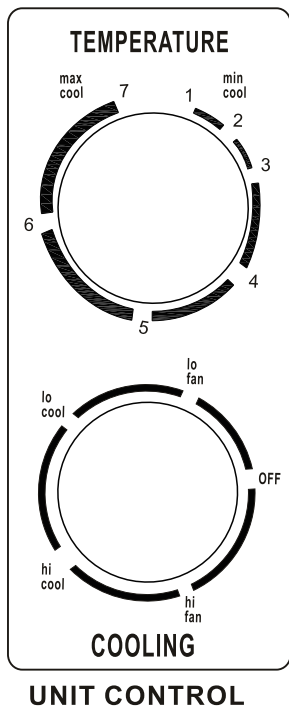


Air Direction

The louvers will allow you to direct the air flow Up or Down (on some models) and Left or Right throughout the room as needed. Pivot horizontal louvers until the desired Up/Down direction is obtained.

Move the Levers from side to side until the desired Left/Right direction is obtained.

# AIR CONDITIONER FEATURES



## NOTE:

The controls featured in this manual are representative of many available models. Your model may offer slightly different features.

### Cool Mode

The desired cool setting is selected by rotating the knob to the appropriate location.

**HI COOL** has maximum cooling effect and airflow.

**LO COOL** has minimum cooling effect and airflow.

### Fan Mode

Rotate the knob to select your choice of fan speeds for air circulation.

**NOTE:** When selecting a fan speed, the compressor will not run.

### Temperature Selector

This is used to set the desired room temperature when the unit is being operated in the **COOL MODE**.

To set the desired room temperature, rotate the temperature selector to the desired setting. After the set temperature is achieved, the thermostat will automatically start and stop the compressor in order to maintain the desired set temperature.

Rotate the temperature selector clockwise for higher cool settings. Higher cool settings will provide lower room temperature. Rotate the temperature selector counter-clockwise for lower cool settings. Lower cool settings will provide a higher room temperature.

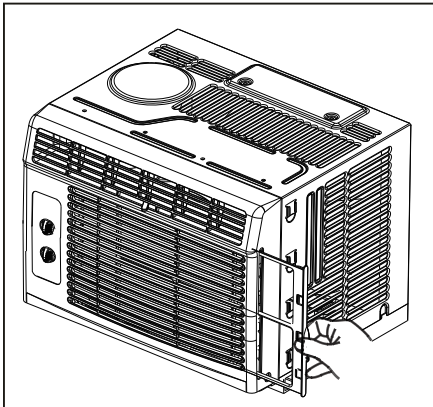
# CARE AND CLEANING

## CAUTION

Clean your air conditioner occasionally to keep it looking new. **Be sure to unplug the unit before cleaning to prevent shock or fire hazards.**

### Air Filter Cleaning

The air filter should be checked at least once a month to see if cleaning is necessary. Trapped particles in the filter can build up and cause an accumulation of frost on the cooling coils.



### Air Filter Cleaning

- Remove the filter by sliding out from the right-hand side.
  - Wash the filter using liquid dishwashing detergent and warm water. Rinse filter thoroughly. Gently shake excess water from the filter. Be sure the filter is thoroughly dry before placing it back. You may also vacuum the filter clean rather than washing.
- Note:** Never use hot water over 40°C (104°F) to clean the air filter. Never attempt to operate the unit without the air filter.

### Cabinet Cleaning

- Be sure to unplug the air conditioner to prevent shock or fire hazard. The cabinet and front may be dusted with an oil-free cloth or washed with a cloth dampened in a solution of warm water and mild liquid dishwashing detergent. Rinse thoroughly and wipe dry.
- Never use harsh cleaners, wax, or polish on the cabinet front.
- Be sure to wring excess water from the cloth before wiping around the controls. Excess water in or around the controls may cause damage to the air conditioner.
- Plug in air conditioner.

### Winter Storage

If you plan to store the air conditioner during the winter, remove it carefully from the window according to the installation instructions. Cover it with plastic or return it to the original carton.

# TROUBLESHOOTING TIPS

Before calling for service, review this list. It may save you time and expense. This list includes common problems that may not be the result of defective workmanship or materials in this appliance.

## *Troubleshooting section*

<b>Problem</b>	<b>Solution</b>
<b><i>Air conditioner does not start</i></b>	<ul style="list-style-type: none"><li>- <i>The power cord may have been disconnected from the outlet. Push plug in firmly into the outlet.</i></li><li>- <i>The fuse or circuit breaker may have been tripped. In this case, replace fuse with a time delay type or reset circuit breaker.</i></li><li>- <i>The power button may be on OFF. Press the power button to turn ON.</i></li><li>- <i>The current detection device (on some models only) on the power cord may have been tripped. Press the RESET button on the current detection device plug.</i></li></ul>
<b><i>Air from unit does not feel cool enough</i></b>	<ul style="list-style-type: none"><li>- <i>If the room temperature is below 62°F (17°C), cooling may not begin until the temperature is higher.</i></li><li>- <i>Temperature sensor element may be touching the cold coil, located behind the air filter. Straighten the tube away from the coil.</i></li><li>- <i>The temperature may need to be set lower for the air conditioner to activate.</i></li><li>- <i>The compressor may have been shut off by abrupt mode changes. Wait approximately 3 minutes and listen for the compressor to restart when set in COOL mode.</i></li></ul>
<b><i>Air conditioner is cooling, but room is still warm and ice seems to be forming on the cooling coils behind the AC casing</i></b>	<ul style="list-style-type: none"><li>- <i>The outdoor temperature of below 62°F (17°C) may be affecting operation. To defrost the coil, set the unit to FAN ONLY mode.</i></li><li>- <i>The air filter may be dirty. Clean the filter as instructed on the "CARE AND CLEANING" section of this manual.</i></li><li>- <i>The temperature may be set too high. Set the temperature control to a lower setting.</i></li><li>- <i>Air directional louvers may be positioned improperly. Position louvers for better air distribution.</i></li><li>- <i>The front of the unit may be obstructed by curtains, blinds, or other foreign bodies, restricting the air distribution. Clear the area around the front of the AC unit.</i></li><li>- <i>Cold air may be escaping the room through open doors, windows, or openings. Close all open doors, windows, and other openings.</i></li><li>- <i>In a warm room, a just activated air conditioner may need time to remove the heat present in the room and distribute cool air.</i></li></ul>

# TROUBLESHOOTING TIPS

<b>Problem</b>	<b>Solution</b>
<b>Air conditioner turns on and off rapidly</b>	<ul style="list-style-type: none"><li>- A dirty air filter may be obstructing the cool air. Clean the filter as instructed on the "CARE AND CLEANING" section of this manual.</li></ul> <hr/> <ul style="list-style-type: none"><li>- In cases where the outside temperature may be extremely high, set the FAN speed to a higher setting to circulate the cool air better.</li></ul>
<b>Noises coming from the unit when cooling</b>	<ul style="list-style-type: none"><li>- This may be the operating sound of air movement and is normal. However, if the noise seems too loud, set the FAN to a lower speed setting.</li></ul> <hr/> <ul style="list-style-type: none"><li>- The noise may be due to window vibration. This can happen when the air conditioner is installed incorrectly. Refer to the "INSTALLATION INSTRUCTIONS" section or check with the person who installed the unit initially.</li></ul>
<b>Water dripping INDOORS when the unit is on COOL</b>	<ul style="list-style-type: none"><li>- The air conditioner may have been improperly installed. Tilt the air conditioner slightly outward to allow water to drain out. Refer to the "INSTALLATION INSTRUCTIONS" section or check with the person who installed the unit initially.</li></ul>
<b>Water dripping OUTSIDE when unit is cooling</b>	<ul style="list-style-type: none"><li>- The unit may be accumulating a large quantity of moisture as it is dehumidifying a humid room. This is normal operation for excessively humid weather.</li></ul>
<b>Room is too cold</b>	<ul style="list-style-type: none"><li>- The temperature setting may be too low. Increase the temperature to a more comfortable level.</li></ul>

The design and specifications are subject to change without prior notice for product improvement.